

LAZER

HIGH PERFORMANCE LIGHTING

ST6 Evolution



A new addition to the ST range, the ST6 Evolution delivers outstanding levels of illumination from a unit measuring 284mm in length. The size of the unit makes it ideal for road and off-road customers looking for significantly increased visibility at night, but where some constraints on the footprint of the mounting location still exist. Fully road legal, the 6 LED unit achieves 1 lux at 340m, but thanks to a low reference mark, will not be constrained in terms of the potential number of lamps installed which can be an issue with some higher reference units.



HIGH PERFORMANCE LED DRIVING LAMPS

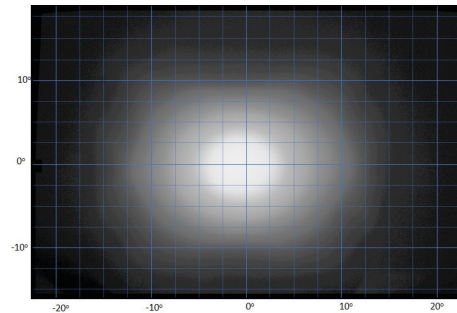
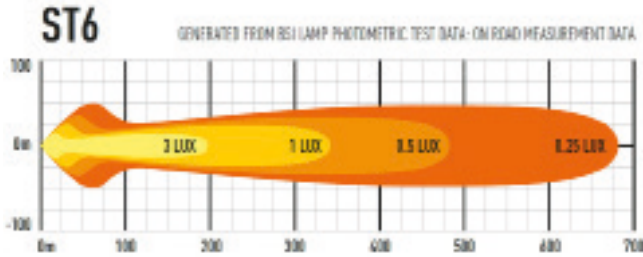


LAZER

HIGH PERFORMANCE LIGHTING

ST6 EVOLUTION

- 6x high density 11W LEDs (premium 'bin')
- Seamless, low profile design facilitates installation
- Dynamic drive modulation optimises light output to maximise LED lifetime
- Ultra-reflective optics deliver 'Drive' beam pattern
- E-coat pre-treatment provides maximum corrosion resistance



TECHNICAL SPECIFICATIONS



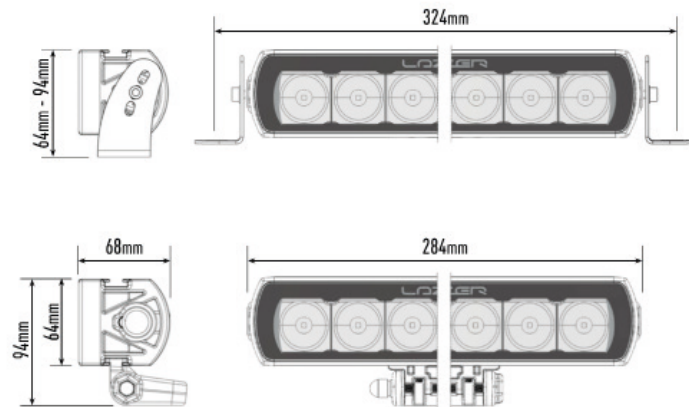
| | |
|---------------------------|-------------|
| E-MARK REF | 10 |
| VOLTAGE RANGE | 9V - 32V |
| RAW LUMENS | 6204 |
| BEAM PATTERN | Drive |
| BEAM DISTANCE (0.25LX) | 680m |
| # HIGH POWER LEDS | 6 |
| POWER CONSUMPTION | 70 Watts |
| CURRENT DRAW [†] | 4.9 Amps |
| LED LIFE | 50,000 Hrs* |
| WEIGHT | 912g |

* LED Manufacturers Specifications †At 14.4 Volts

MOUNTING OPTIONS:



(Side Bracket kit sold separately)



LAZER LAMPS LTD

Units 1+2, Harlow Mill Business Centre, Riverway, Harlow, Essex. CM20 2FD. UK

Tel: +44(0)1992 677374

Email: sales@lazerlamps.com

www.lazerlamps.com

LAZER

HIGH PERFORMANCE LIGHTING

