

LAZER
HIGH PERFORMANCE LIGHTING

Boomer Single Straight Mount

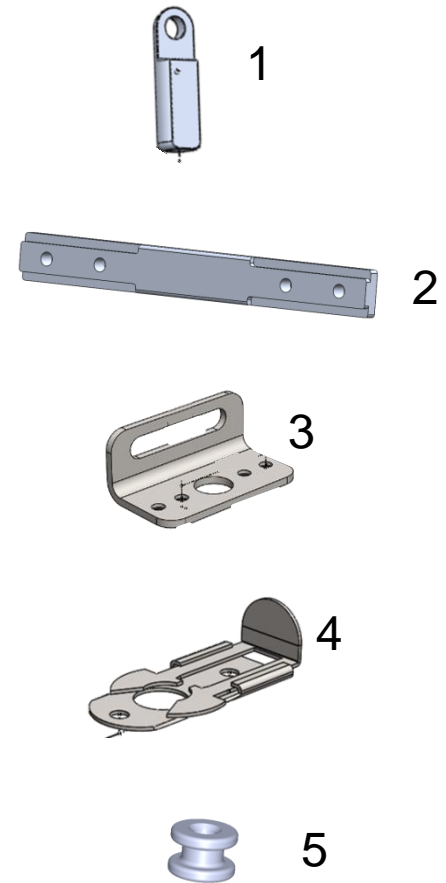


PARTS

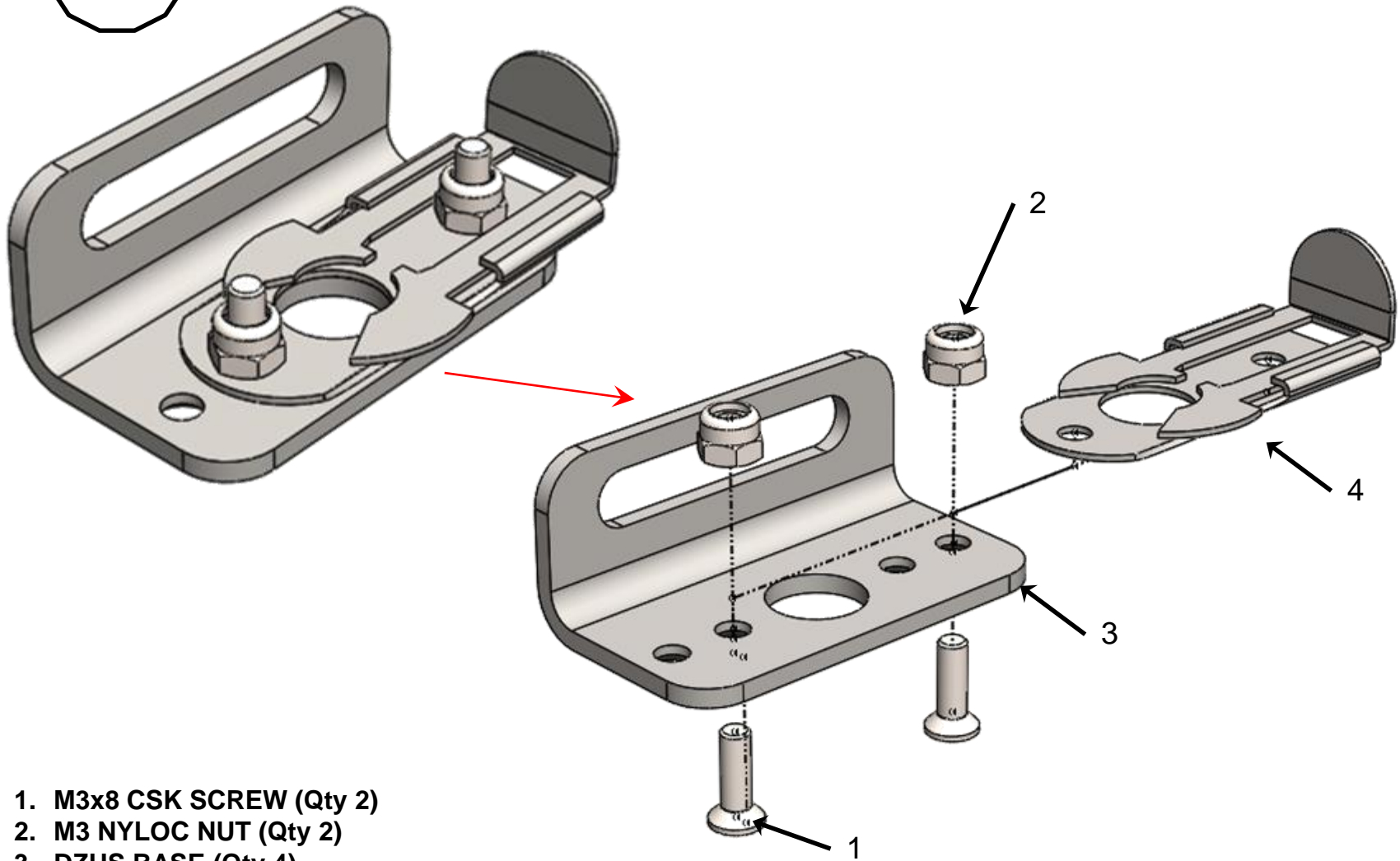
1. ROD END (Qty 8)
2. STRAIGHT CONNECT (Qty 2)
3. DZUS BASE (Qty 4)
4. DZUS CONNECTOR (Qty 4)
5. DZUS CONNECTOR PIN (Qty 4)

FASTENERS

1. M6x70 STUD (Qty 2)
2. M6x120 STUD (Qty 2)
3. M6x20mm Bolt (Qty 6)
4. M6 Nyloc Nut (Qty 4)
5. M6 Hex Nut (Qty 8)
6. M6x20 Washer (Qty 2)
7. M6x12 Washer (Qty 4)
8. M3x8 CSK Screw (Qty 8)
9. M3 Nyloc Nut (Qty 8)
10. M4x20 Screw (Qty 4)
11. M4 Nylock Nut (Qty 4)
12. M4 Washer (Qty 8)
13. M5x6 Grub Screw (Qty 4)



1

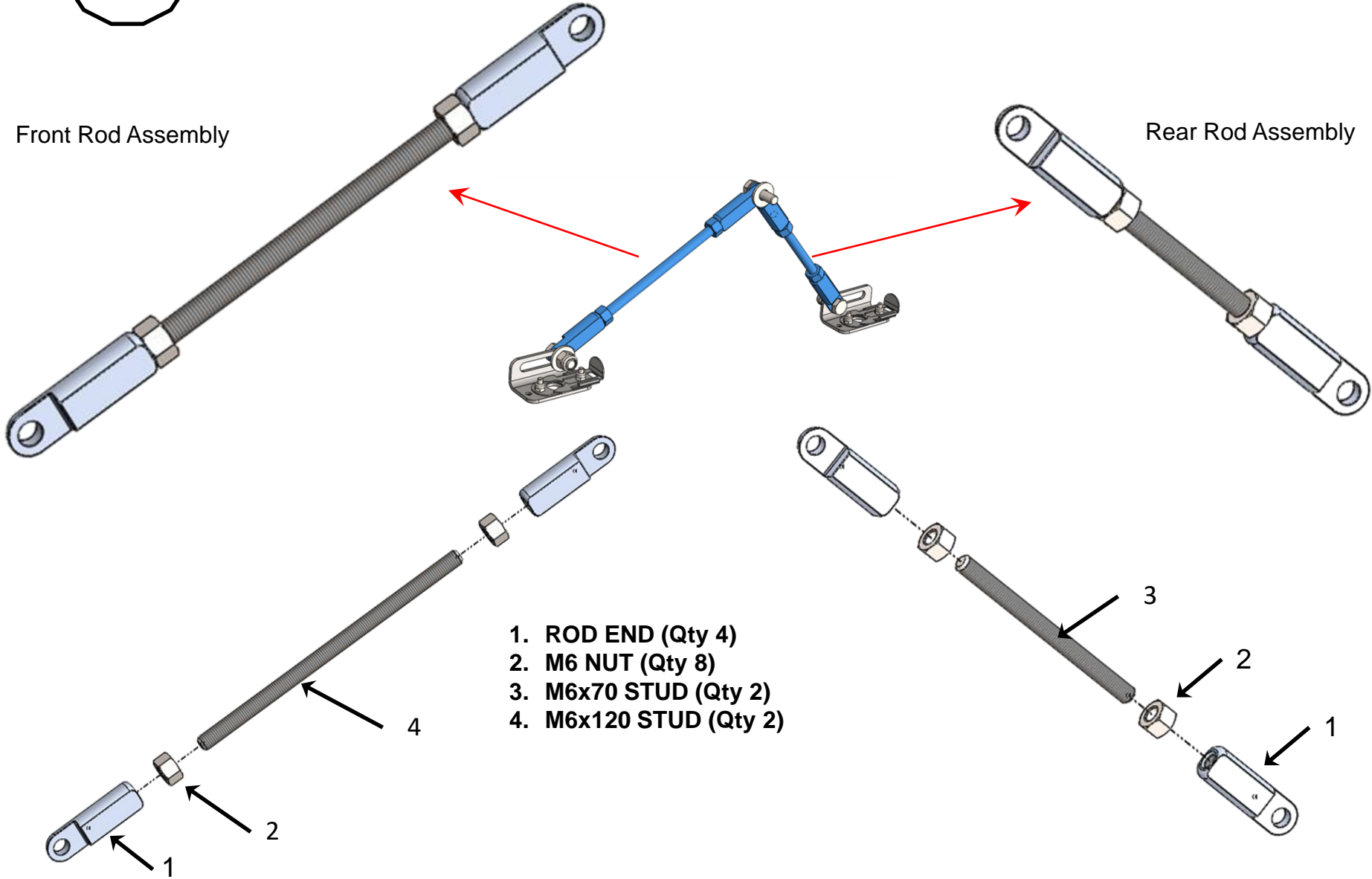


1. M3x8 CSK SCREW (Qty 2)
2. M3 NYLOC NUT (Qty 2)
3. DZUS BASE (Qty 4)
4. DZUS CONNECTOR (Qty 4)

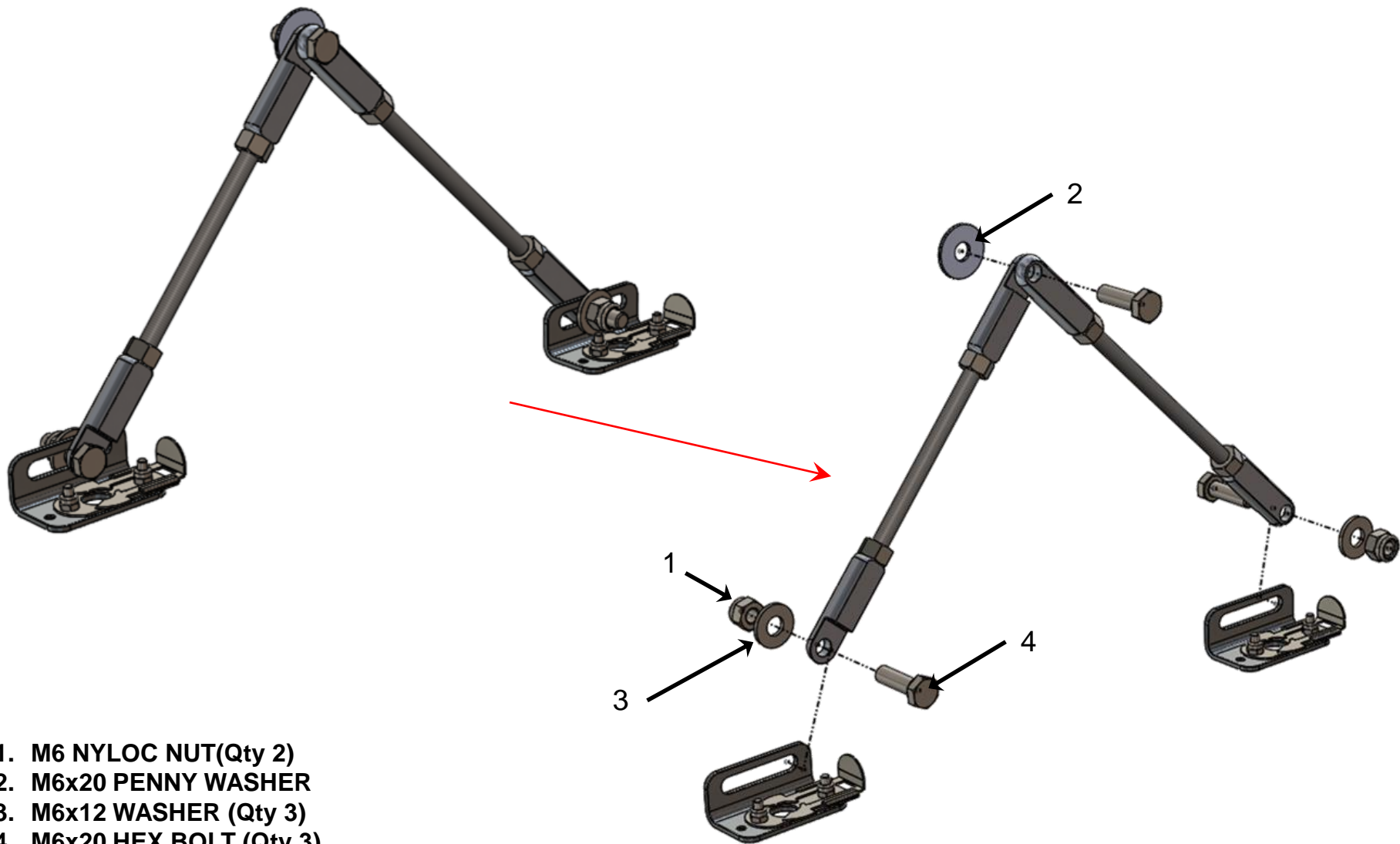
2

Front Rod Assembly

Rear Rod Assembly

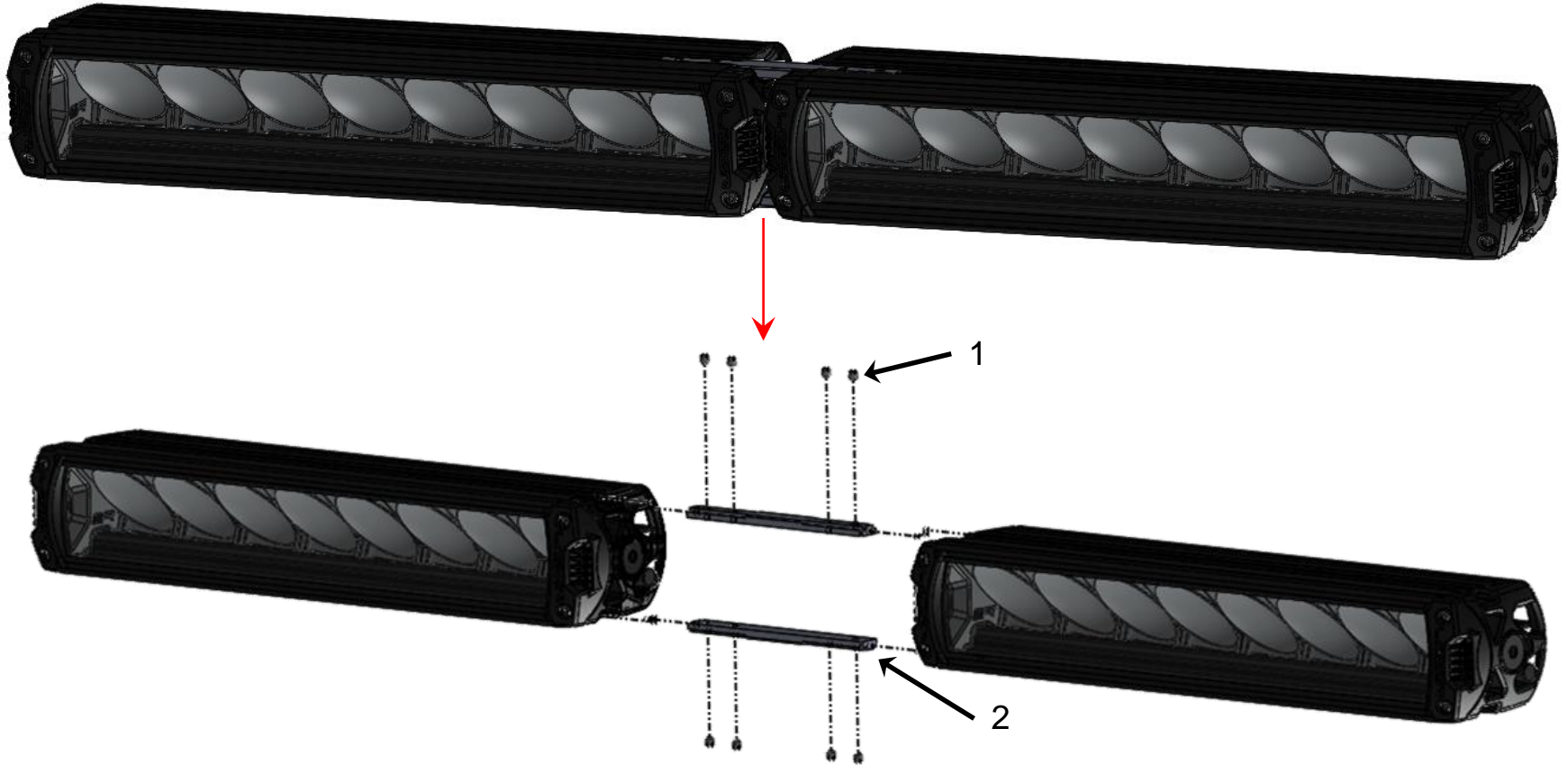


3



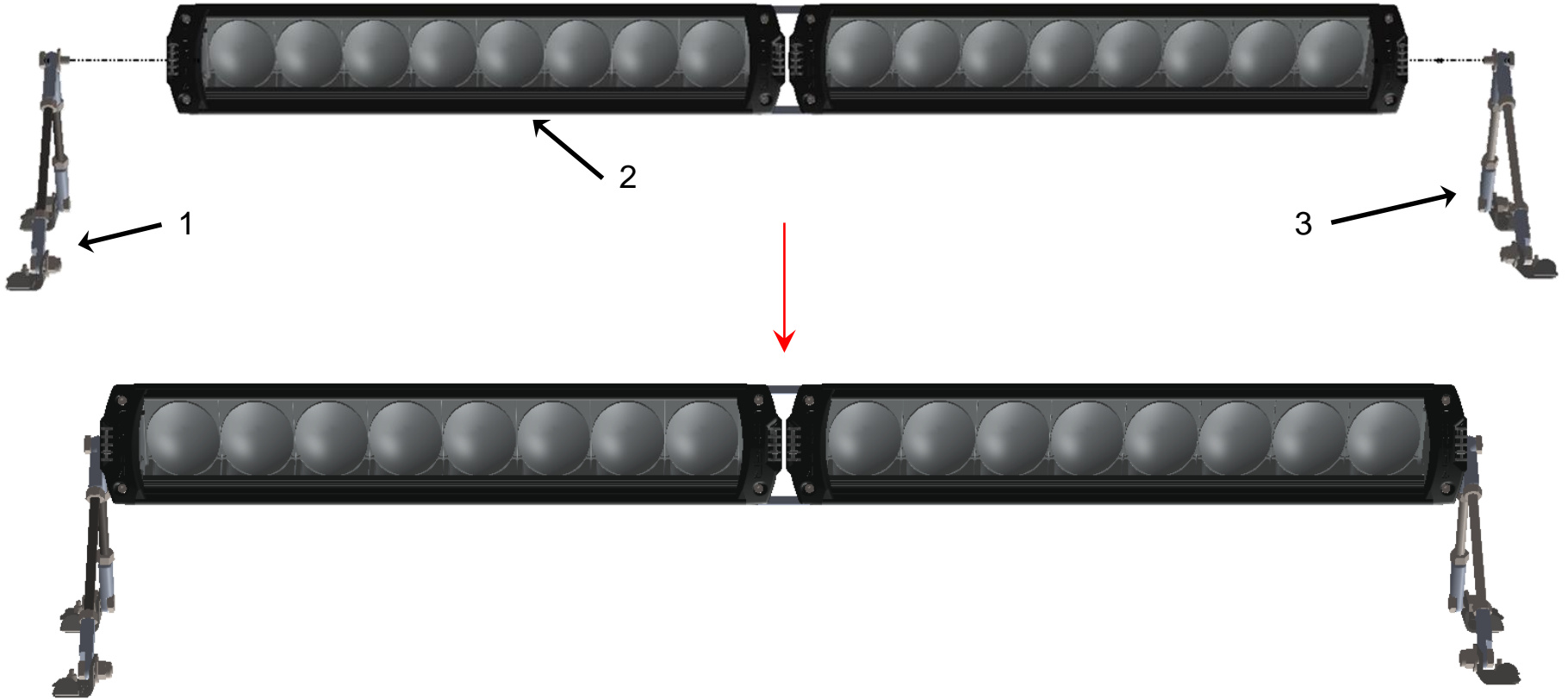
- 1. M6 NYLOC NUT(Qty 2)
- 2. M6x20 PENNY WASHER
- 3. M6x12 WASHER (Qty 3)
- 4. M6x20 HEX BOLT (Qty 3)

4



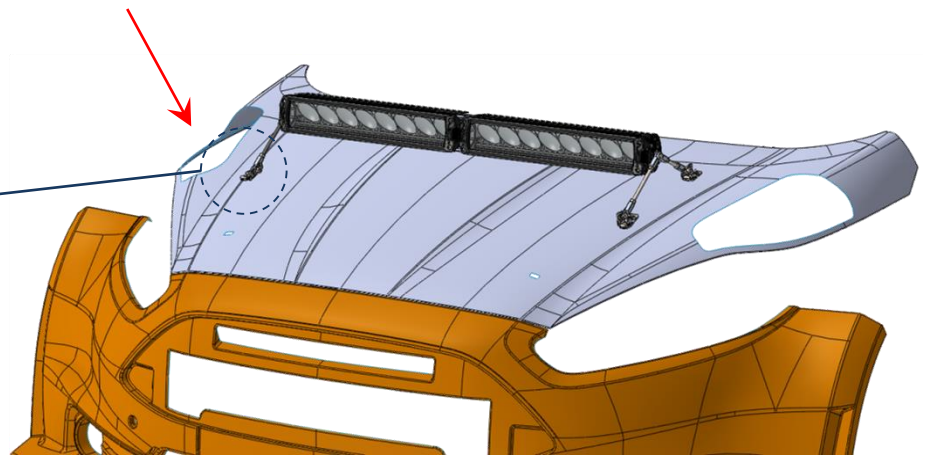
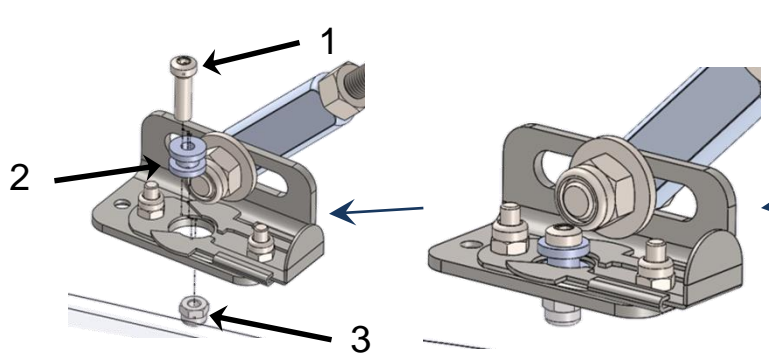
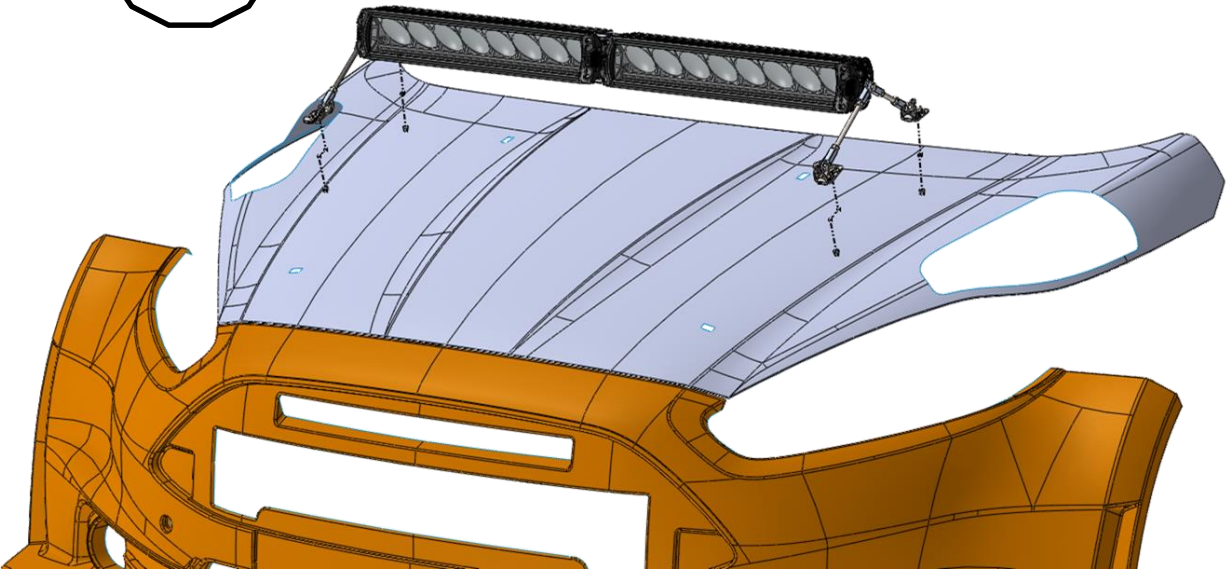
- 1. M5x6 GRUB SCREW (Qty 8)
- 2. STRAIGHT CONNECT (Qty 2)

5



1. BOOMER MOUNTING ARM ASY RH (Qty 1)
2. DUAL TRIPLE R LAMP ASY (Qty 1)
3. BOOMER MOUNTING ARM ASY LH (Qty 1)

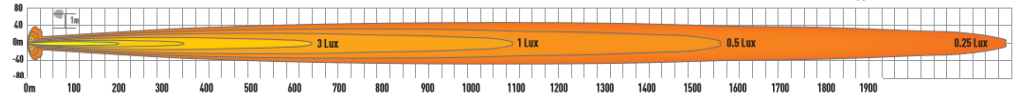
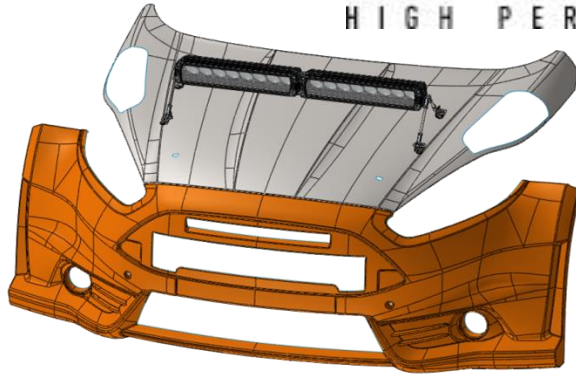
6



- 1. M4x20 SCREW (Qty 4)
- 2. DZUS CONNECTOR PIN (Qty 4)
- 3. M4 NYLOC NUT (Qty 4)

LAZER

HIGH PERFORMANCE LIGHTING



Also Available : R900K-15H-CLR "REEDED LENS KITS"

