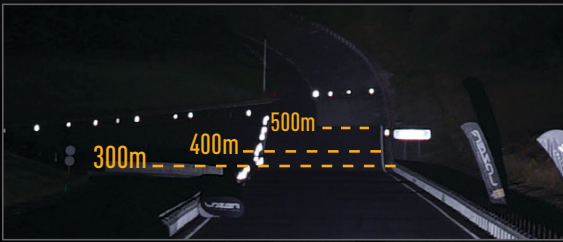


LAZER

HIGH PERFORMANCE LIGHTING

SENTINEL WITH POSITION LIGHT

New for 2021, the Sentinel range are 9" round lamps that combine distinctive high-end product design, with superior lighting performance and build quality symbolic of the Lazer Lamps name. Available in Standard or Elite grades, the former incorporates 20 high power LEDs and comes available with either a black or chrome finish inside the lamp. The lamp is UNECE approved to Regulation 112 as a high beam driving light, through adoption of Lazer's dual output E-Boost technology. For added styling and safety, connect the amber or white position light function to the vehicles side lights.



SENTINEL WITH POSITION LIGHT

- Combination of 20 premium 'bin' LEDs
- Black or Chrome internal appearance available
- 5000K LED colour temperature and 80CRI maximises sharpness and definition
- Integrated white and amber position light function
- Ultra-reflective vacuum-metallised spot and wide optics
- UNECE Reg 112 Class B Driving Light, approved for on-road high beam (E-Boost technology) and Reg 7 position/side light function (white only)
- Contemporary lamp design
- Supplied with 'slim' diecast aluminium mounting bracket featuring Sentinel stamp
- Electronic thermal management system optimises light output to preserve longevity of the LEDs
- Anodised pre-treatment and automotive grade powder top-coat for ultimate corrosion and chemical protection
- CAE optimised heatsink offers improved thermal dynamics
- Over voltage protected
- Reverse polarity protected
- 'Unbreakable' polycarbonate lens with hardcoat lacquer
- A2 stainless steel fasteners with automotive grade black coating
- UNECE approved Reg 10
- IP68 watertight – 1.5m submersion (30mins)
- 5-year warranty
- Supplied with pre-wired male/female 2-pin Superseal connectors
- Designed & manufactured in UK

E-MARK REF	N/A / 20
VOLTAGE RANGE	10V - 32V
RAW LUMENS	9,520
BEAM PATTERN	Wide
BEAM DISTANCE (0.25LX)	1414m
# HIGH POWER LEDs	20
POWER CONSUMPTION	87 Watts
CURRENT DRAW†	8.1 Amps
LED LIFE	50,000 Hrs*
WEIGHT	2500g



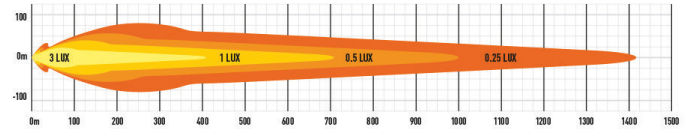
* LED Manufacturers Specifications †At 14.4 Volts

T +44 (0) 1992 677374
E sales@lazerlamps.com

Lazer Lamps Ltd, Units 1-2, Harlow Mill Business Centre,
Riverway, Harlow, Essex CM20 2FD, United Kingdom

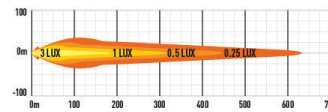
SENTINEL STD (E-BOOST MODE)

Generated from BSI lamp photometric test data: on road measurement data

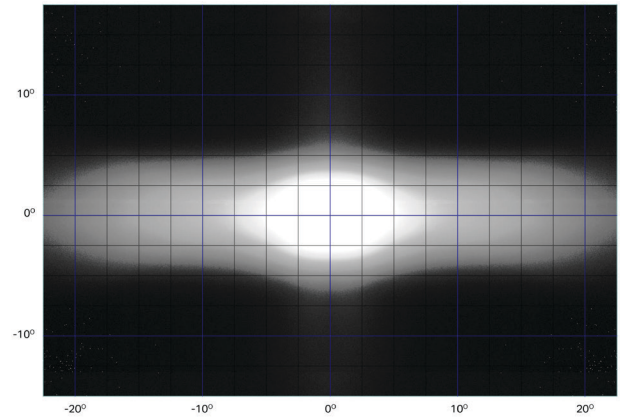


SENTINEL STD (E-MARK MODE)

Generated from BSI lamp photometric test data: on road measurement data

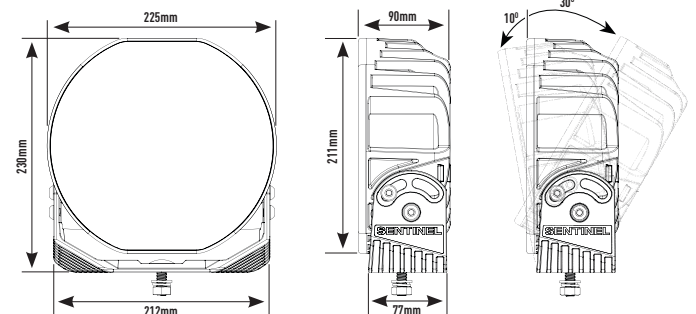


Horizontal: 52° / Vertical: 11° (2% of peak)



WIDE MOUNT

Lamp suitable for horizontal or vertical mounting positions



SLIM MOUNT

* No downward rotation when Lens Cover is fitted.

