

LAZER

H I G H P E R F O R M A N C E L I G H T I N G



ISUZU DMAX 2017+ LOWER GRILLE INSTALL

FITTING INSTRUCTIONS

ANLEITUNG

INSTRUCTIONS

INSTRUCCIONES

TECHNICAL SUPPORT

aaron@lazerlamps.com / sales@lazerlamps.com
+44 (0)1992 945601 / +44 (0)1992 677374

WHAT'S REQUIRED

- 2x ST4 EVOLUTION LIGHTS
- 1x TWO LAMP HARNESS KIT
- 1x CANBUS HIGHBEAM INTERFACE
- 1x ISUZU DMAX ST4 MOUNTING KIT

DIFFICULTY LEVEL



TOOLS REQUIRED



DRILL BIT
5MM



METRIC
SOCKET SET



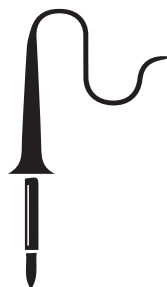
WIRE STRIPPERS
AND RATCHET CRIMPERS



WIRE CUTTERS



ALLEN KEY SET



SOLDERING
IRON



T-25 TORX
SCREWDRIVER

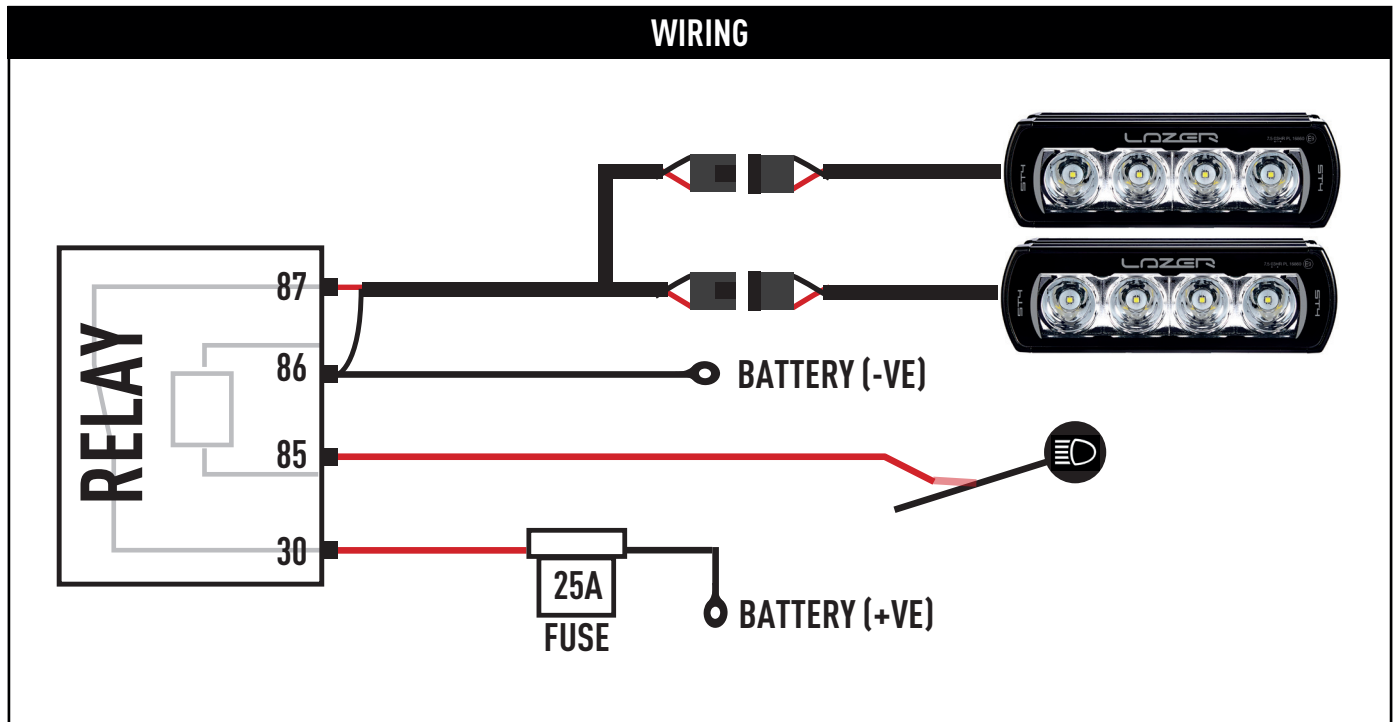


PLASTIC
TRIM TOOLS

PRE-INSTALLATION CHECKS

1. Ensure battery is disconnected.

WIRING



STEP 1

Locate the headlamp high beam wire which has positive voltage going to the bulb (not the ground wire coming back from the bulb!).

STEP 2

Cut the vehicle high beam wire approximately 100mm from the connector, strip wire ends 7mm and twist strands.

STEP 3

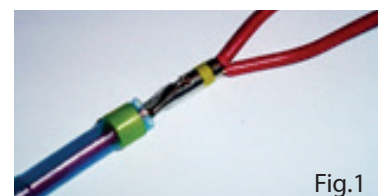
Strip wire end from Lazer wiring harness (p/n 8225-12V-SP), from relay position 85

STEP 4

Connect all three wires together using supplied splice, taking care to ensure that:

- Two wires should be pushed in the end which has a yellow band (fig1)
- The blue heatshrink is threaded on to the wire, with yellow ribbon matching that of the metal crimp.
- Crimp with high force, using pliers
- Apply heat until yellow adhesive band and band the other side melts and flow axially along wires, thus forming a seal (fig2).

Check that adhesive is fully melted and matches appearance as shown (fig3)



STEP 5

Connect ground wire from harness to grounding point in engine bay (or on -ve battery terminal).

STEP 6

Connect fused wire to positive terminal on battery. Cable-tie loose wires as required.

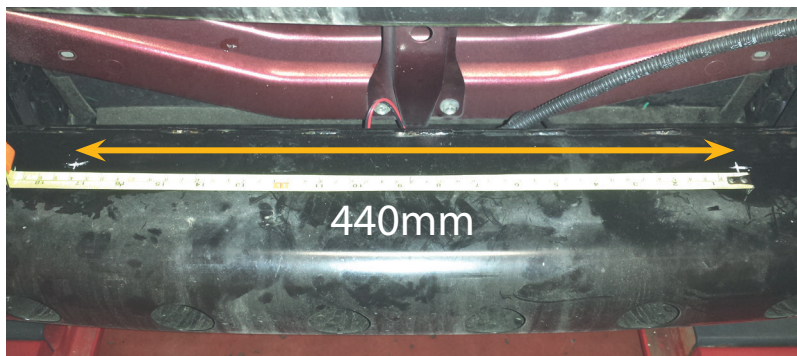


STEP 7

Locate relay as pictured:

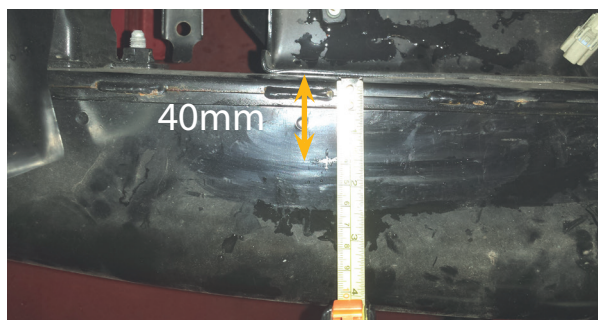
MOUNTING YOUR LIGHTS

(These fitting instructions relate to installation of Lazer ST4 Evolution spotlights in the lower grille of the MY17 D-max. Guidelines for mounting lights on older models are available on request from: sales@lazerlamps.com)



STEP 1

Remove bumper fascia, then mark the drill holes for the lamps at 440mm apart, symmetrical about the centre point of the bumper beam bar.



STEP 2

Mark 40mm from the rear.

STEP 3

Attach Riv-nut into bumper beam holes - this might require temporary removal of the upper beam bar.



STEP 4

Fix the lamp mount on to lamp with the orientation shown.



STEP 5

Use M8 x 25mm socket cap head to screw lamp on to bumper beam (note M8 hex head bolt supplied in bracket bag can be discarded when using the riv-nut fastening method).

STEP 6

Aim lights, check functionality and tighten, before re-attaching bumper fascia to the vehicle.

TROUBLE SHOOTING

ISSUE: Lamps don't illuminate after wiring system.

- Check that the High Beam wire carrying +ve voltage has been selected, and not the ground wire coming from the bulb.
- Check fuse in harness.
- Check that relay is switching. If not, check there is +ve voltage at relay when main beam lights are activated. If not, then check splice.

LAZER
 HIGH PERFORMANCE LIGHTING

Thank you for choosing a Lazer Lamps product.
Vielen Dank dafür, dass Sie sich für ein Produkt von Lazer Lamps entschieden haben.
Merci pour choisir un produit de Lazer Lamps.
Gracias por la seleccion de productos de Lazer Lamps.