

UTILITY 25 MAXX

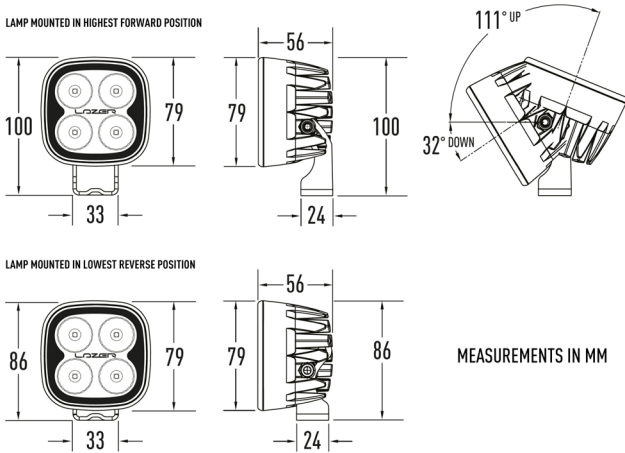
Measuring 80mm x 80mm, and capable of operating between 9-32V, the Utility-25 MAXX utilises highly efficient 6W LEDs from a world-leader in LED design and manufacture. Like all Lazer products, the colour temperature of the LEDs is carefully selected at 5000 kelvin to maximise sharpness and definition of the area ahead, without causing fatigue or strain which can come from using LEDs with a higher colour range. The vacuum-metallised optics harness the 4,560 raw lumens delivering a 78 degree spread (to 10% of peak intensity). The impressive lighting performance is maintained through the high thermal conductivity of the 'Matrix' cooling system which allows the lamp to be run at a higher drive current without compromising the longevity of the LEDs themselves.



SEE MORE. **WORK SAFER.**

UTILITY 25 MAXX

- High density LED's
- Vacuum-metallised optics deliver wide spread of light
- Versatile mounting bracket
- EMC protected
- Electronic thermal management
- CAE optimised 'Matrix' cooling system
- Designed & manufactured in the UK



TECHNICAL SPECIFICATIONS

* LED MANUFACTURERS SPECIFICATIONS | † AT 14.4 VOLTS

E11 APPROVED WORKLIGHT	WORK LAMP	ECE R10
	VOLTAGE RANGE	10V - 32V
UP TO 5 YEAR WARRANTY	RAW LUMENS	4560
	BEAM PATTERN	Wide
 IP69K WATERPROOF	BEAM DISTANCE (50LX)	14m
	# HIGH POWER LEDS	4
CISPR 25 CLASS 4	POWER CONSUMPTION	45 Watts
	CURRENT DRAW†	3.1 Amps
	LED LIFE	50,000 Hrs*
	WEIGHT	360g
	SALT SPRAY TEST	ISO 9227 (1000H)
	OPERATING TEMPERATURE	-40oC...+90oC
	VIBRATION; RANDOM SWEEP (BS EN 60068-2-64)	10HZ > 1000HZ, 0.14>20 (M/S²)²/HZ

